

3-Year Limited Tank/ 1-Year Limited Parts Warranty*

All Heavy-Duty Commercial Gas units have a glass coated internally-lined tank fired at 1600°F. This provides a tough interior surface for storage tanks and maximum protection against the wearing effects of high-volume and high-temperature water.

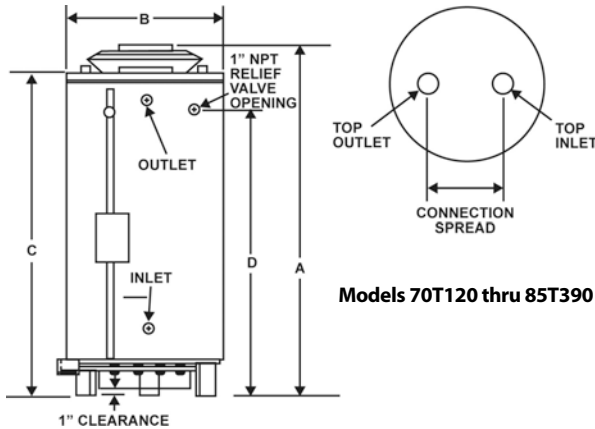
- **Self-Cleaning High Pressure Water Jets**
Significantly reduces sediment buildup inside the tank. Helps maintain rated thermal efficiency, reduces water heating costs. Helps maximize tank life.
- **Automatic Flue Damper (120-390 Models)**
Automatic motorized flue damper helps minimize standby heat loss. Low-profile draft diverter helps for installation in tight spaces. 85T500 Models feature an induced draft design and no damper.
- **Three Water Connection Options**
Hot and cold water connections can be made through front, top or rear of unit. High Pressure Water Jets operate when cold water is connected through front inlet connection.
- **Intermittent Electronic Ignition**
Eliminates standing pilot, saves energy. Includes power ON/OFF switch. Provides flame failure response in less than one second.
- **Glasslined Tank with Multiple Anode Rods**
Provides outstanding protection against corrosion.
- **CSA Certified and ASME Rated T&P Relief Valve**
- **Maximum Hydrostatic Working Pressure 160 psi**
- **80% Thermal Efficiency**
- **Compliance**
Meets the thermal efficiency and standby loss requirements of the U.S. Department of Energy and current edition of ASHRAE/IESNA 90.1. Design-certified by UL (Underwriters Laboratories), according to ANSI Z21.10.3-CSA 4.3 standards governing storage-type water heaters. Design-certified by Underwriters Laboratories Sanitation to NSF Standard 5 for 180°F (62°C) water. Optional ASME tank construction available.



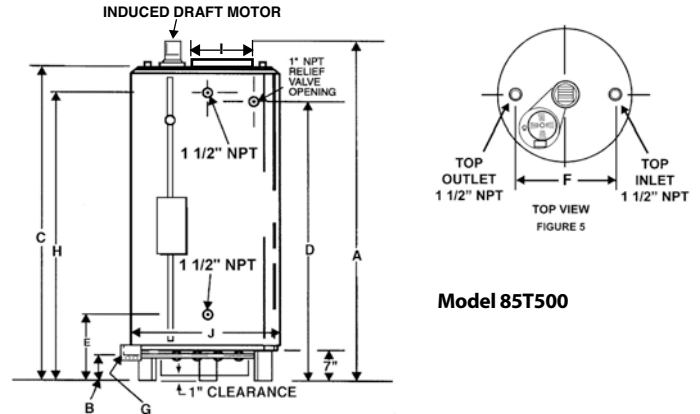
**BCG3-70T120-6N through
BCG3-100T390-8N pictured**



*For complete warranty information consult the written warranty of American Water Heaters found at www.americanwaterheater.com, or call (800) 456-9805.



Models 70T120 thru 85T390



Model 85T500

ELECTRICAL REQUIREMENTS:

Need 120 Volt 60 Cycle AC Power Source. Draws less than 5 amps.

MODEL NUMBER	GALLON CAPACITY	BTU INPUT	RECOVERY CAPACITIES			A	B	C	VENT SIZE	CONN. SPREAD	HGT. TO FRT/BACK HOT	HGT. TO FRT/BACK COLD	HGT. TO GAS CONN.	SIZE OF GAS CONN.	D	APPROX. SHIP. WEIGHT STD	APPROX. SHIP. WEIGHT ASME
			40°F	100°F	140°F												
BCG3-70T120-5N	71	120,000	291	116	83	69-3/4	27-3/4	59-1/2	6	19	57-5/8	19-3/4	4-1/4	1/2	50-7/8	400	~
BCG3-80T150-6N	81	154,000	373	149	107	73	27-3/4	66-1/2	6	19	59	19-3/4	4-1/4	1/2	57-7/8	470	~
BCG3-80T180-6N	81	180,000	434	174	124	67-1/2	27-3/4	62	6	21	54-5/8	20-1/2	4-1/2	1/2	53-5/8	470	~
BCG3-80T199-6N	81	199,000	482	192	132	67-1/2	27-3/4	62	6	21	62-5/8	20-1/2	4-1/2	1/2	61-5/8	603	
BCG3-100T199-6N	100	199,000	461	192	132	75	27-3/4	70	6	21	54-5/8	20-1/2	4-1/2	1/2	53-5/8	470	~
BCG3-100T200-6N	100	199,000	482	192	132	72	30-1/4	62	6	23	56-3/8	19-3/4	4-1/2	1/2	55-7/8	630	~
BCG3-100T250-8N	100	250,000	606	242	173	72	30-1/4	65-1/8	8	23	56-3/8	19-3/4	4-1/2	1/2	55-7/8	630	725
BCG3-65T250-8N	65	251,000	608	243	174	75	27-3/4	65-3/4	8	NA	58-3/4	20	4-1/2	1/2	57-1/4	750	725
BCG3-100T275-8N	100	275,000	667	267	190	72	30-1/4	65-3/4	8	23	56-3/8	19-3/4	4-1/2	1/2	55-7/8	630	862
BCG3-65T300-8N	65	305,000	739	296	211	75	27-3/4	65-1/8	8	NA	58-3/4	20	4-1/2	1/2	57-1/4	750	725
BCG3-85T360-8N	85	365,000	885	354	253	79-1/2	27-3/4	65-3/4	8	23	63	22-1/2	4-1/2	3/4	62-1/2	725	862
BCG3-100T390-8N	100	390,000	970	388	277	75-1/2	30-1/4	70-1/4	8	23	59	26-3/4	4-1/2	3/4	58-1/4	760	833
BCG3-85T500-8N*	85	500,000	1212	479	346	82-1/4	27-3/4	67-1/2	8	21	66-3/4	25-1/2	4 1/2	1	65-1/4	745	874

ASME models are prefixed with an "A" (ABCG3-85T500-8N). To order propane models change suffix from "N" to "P" (BCG3-80T180-6P)
 BCG3-70T120 is approved for 5" vent using 6x5 reducer. All dimensions in inches.
 All top inlets and outlets are 1-1/2". All side inlets and outlets are 1-1/2" except 100T200, 100T250, 100T275, 100T390 which are 2"
 *Induced Draft Design, Category I Venting

Heavy-Duty Commercial Gas Water Heater Specification

(Natural or Propane) gas water heater(s) shall be American® model # _____ or equal, with a storage capacity of _____ gallons, an input rating of _____ BTUs per hour, a recovery rating of _____ GPH at 100°F rise and a maximum hydrostatic working pressure of 160 psi. Water heater(s) shall be protected against overheating caused by the buildup of scale, film and other sediment by a self-cleaning device, positioned inside the tank so that it directs the flow of inlet water to keep precipitated solids in suspension so that they are removed from the water heater on that or successive draws. Glasslined water heater(s) shall also be protected against electrolytic corrosion by multiple factory-installed anode rods. In addition, water heater(s) shall: 1) Be equipped with an integrated control system consisting of a 180°F adjustable thermostat with upper and lower sensing bulbs. 2) Be equipped with intermittent electronic ignition, a manual reset gas shutoff device, a gas pressure regulator, automatic flue damper, factory-installed, CSA certified and ASME rated T&P relief valve and 2-3/4" x 3-3/4" tank inspection port. 3) Be design-certified by Underwriters Laboratories under Volume III tests for commercial water heaters for delivery of 180° water. 4) Be design-certified by UL (Underwriters Laboratories) to current edition of ANSI Z21.10.3 - CSA 4.3 standards governing storage-type water heaters. 5) Meets the thermal efficiency and standby loss requirements of the U.S. Department of Energy and the current edition of ASHRAE/IESNA 90.1 6) Have a 3-year limited warranty against corrosion as outlined in the written warranty.

Distributed By:

Order Entry and Sales

500 Princeton Road (FEDEX, UPS)
 Johnson City, TN 37601-2030
 P.O. Box 4808 (Mailing)
 Johnson City, TN 37602-4808
 (800) 937-1037
 FAX (800) 581-7224

Warranty and Service

500 Princeton Road (FEDEX, UPS)
 Johnson City, TN 37601-2030
 P.O. Box 1597 (Mailing)
 Johnson City, TN 37605-1597
 (800) 456-9805
 FAX (800) 999-5210