

TITAN™ POWER BURNER

Low NOx Commercial Gas Water Heaters

For medium-demand commercial applications, State Titan™ (GPG and GPV) commercial gas water heaters offer precise power burner performance, plus flexible venting options including conventional atmospheric venting, sidewall venting or direct venting. Professional start-up service is also available from State on these Titan units to help ensure optimum performance.



Powered Gas Low NOx Burner (Natural Gas Only)

- Premix burner operation includes internal Flue Gas Recirculation (FGR)
- Safety features: Internal blocked flue sensor, separate pilot system, internal thermal cutoff and anti-flashback barrier

Three Venting Options

- Conventional atmospheric venting on GPG models only with supplied barometric draft regulating damper
- Horizontal atmospheric sidewall venting or direct venting on GPV models only
 - For sidewall venting order Vent Kit Part # 9500007229
 - For direct venting order Vent Kit Part # 9910001005

Automatic Controls

- Safety shut-off, high-temperature limit control
- Dual thermostat for accurate temperature adjustment from 120°F to 180°F

Patented "Dome Design" Combustion

- Draft-equalizing dome balances pressure inside combustion chamber for optimum flue loading and efficient heat transfer

Adjustable Damper for High-Altitude Installations

- Air intake damper easily reset for high-altitude installation by authorized start-up agent

ASME Tank Construction - Rated Working Pressure 160 psi

Factory-Installed CSA Certified and ASME Rated T&P Relief Valve

Glasslined Tank

- With multiple anode rods for long-term protection against corrosion

Flame Inspection Port

Handhole Cleanout

- For easy removal of sediment from tank bottom

Meets the thermal efficiency and standby loss requirements of the U.S. Department of Energy and current edition of ASHRAE/IESNA 90.1.

- The GPG85 540 and 650 comply with SCAQMD 1146.2. The GPG85 740 meets low NOx code requirements for Texas and California requiring less than 40 ppm.

Three-Year Limited Tank Warranty

- For complete warranty information, consult written warranty shipped with water heater, or contact State Water Heaters

For more information on State® contact:
 State Water Heaters
 500 Tennessee Waltz Parkway, Ashland City, TN 37015
 800.365.0024 Toll-free USA
 www.statewaterheaters.com

SOLID.STATE.



TITAN™ POWER BURNER



Low NOx Commercial Gas Water Heaters

STANDARD BAROMETRIC DRAFT CONTROL
GPG MODELS

CAPACITY, INPUT AND OUTPUT

MODEL NUMBER	BTU INPUT PER HOUR	Gallons or Litres	TANK SIZE	FIRST HOUR RATING 100° F RISE	GPH or LPH	RECOVERY-GALLONS PER HOUR AT °F TEMPERATURE RISE		
						40°F	100°F	140°F
						4°C	56°C	78°C
GPG85 540 NEA	540,000	U.S. Gallons	85	583	GPH	1309	523	374
GPV85 540 NEA		Litres	321.7	2206.7	LPH	4954.6	1979.6	1415.6
GPG85 650 NEA	650,000	U.S. Gallons	85	690	GPH	1579	630	450
GPV85 650 NEA		Litres	321.7	2611.7	LPH	5976.5	2384.6	1703.3
GPG85 740 NEA	740,000	U.S. Gallons	85	778	GPH	1794	718	512
GPV85 740 NEA		Litres	321.7	2944.7	LPH	6790.3	2717.6	1937.9

Based on 80% Thermal Efficiency obtained in State engineering laboratories.
To compensate for effects of high altitude above 2,000 feet, recovery ratings should be reduced 4% for every 1,000 feet above sea level.
Current Draw (120V, 60Hz, 1 Phase): 5.0 amps, use 15 amp supply power.

ALL DIMENSIONS IN INCHES (MILLIMETERS)

Models	A	B	C	D	E	F	G	H	I	Gas Conn.	Approx. Ship. Wt.
GPG85 540 NEA	80 3/4	73	32 1/4	9	6	26 1/2	93	29 1/2	48 1/2	1"	950
	2,051	1,854	819	229	152	673	2,362	749	1,232	25.4	431 kg
GPG85 650 NEA	80 3/4	73	32 1/4	9	8	26 1/2	93	29 1/2	48 1/2	1"	950
	2,051	1,854	819	229	203	673	2,362	749	1,232	25.4	431 kg
GPG85 740 NEA	80 3/4	73	32 1/4	9	8	26 1/2	93	29 1/2	48 1/2	1"	950
	2,051	1,854	819	229	203	673	2,362	749	1,232	25.4	431 kg

*Minimum gas supply pipe size is 1 1/4", reference Table 7 for gas supply pipe sizing.
Maximum supply gas pressure 14" W.C.

SUGGESTED SPECIFICATION

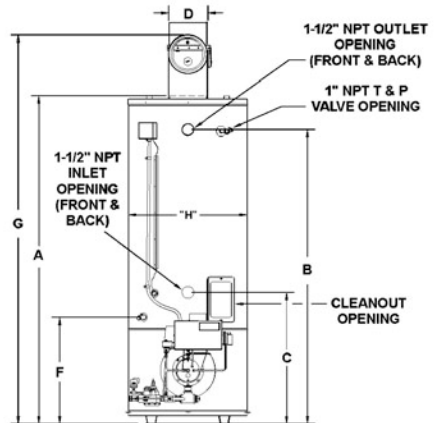
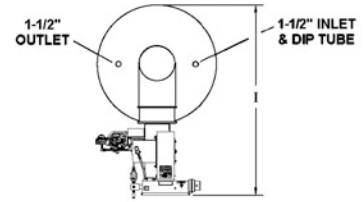
Water heater(s) shall be State Model _____ or equal, with maximum storage capacity of 85 gallons, an input rating of _____ BTU/Hr., a recovery rating of _____ GPH at 100°F temperature rise, and minimum thermal efficiency of 80%. Heater(s) shall meet ASHRAE/IESNA 90.1 current edition requirements for thermal efficiency and standby loss, GPG85-540 and 85-650 comply with SCAQMD rule 1146.2 NOx requirement of 20 ng/j. GPG85-740 Complies with Texas and other Low NOx areas requiring 40 ng/j. In addition, heater(s) shall: 1) Include a power gas burner, redundant main gas valves, gas pressure regulator and flame inspection port. 2) Include a high-temperature limit control, dual-bulb thermostat for accurate temperature control and anti-stacking compensation and a factory-installed CSA certified and ASME rated T&P Relief Valve. 3) Be equipped with 1-1/2" NPT water inlet and outlet and a boiler-type handhole cleanout. 4) Shall be constructed and stamped in accordance with ASME Boiler and Pressure Vessel Code and be so marked for a maximum working pressure of 160 psi. 5) Have a glasslined steel tank with multiple anodes for corrosion protection, and polyurethane foam insulation. 6) Tank shall have a 3-year limited warranty against corrosion as outlined in the written warranty.

Venting: GPG heater(s) shall be supplied with a Barometric Draft Regulator for conventional atmospheric venting. GPV heater(s) shall be supplied with an optional vent kit allowing for horizontal sidewall venting or direct venting.

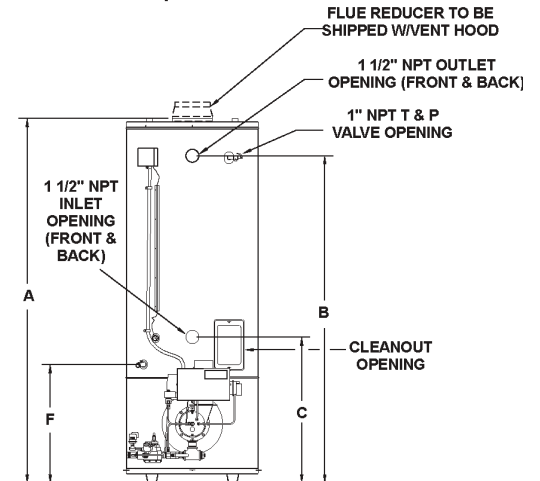
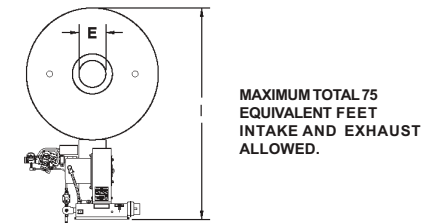
Burner and Controls: Burner(s) shall be pre-mix design, with internal FGR and thermal cutoff, separate spark pilot ignition system, integral blocked flue sensor, glass view port, main gas regulator, automatic gas valve, manual test cock and manual gas shutoff. Burner(s) must be factory-installed, tested and started by an Authorized State Start-up Agent before being placed into operation.

For complete information on limited warranties, consult written warranty, or contact the State Customer Care Center, 1-800-365-0024.

State Industries, Inc. reserves the right to make product changes or improvements without prior notice.



HORIZONTAL & DIRECT VENTING GPV MODELS



For more information on State® contact:
State Water Heaters
500 Tennessee Waltz Parkway, Ashland City, TN 37015
800.365.0024 Toll-free USA
www.statewaterheaters.com

SOLID.STATE.

