

3-Year Limited Tank/ 1-Year Limited Parts Warranty*

Compact commercial electric units have a Fused Ceramic Shield applied under pressure and fired at 1600°F to completely cover the tank interior. This provides a tough interior surface for storage tanks and maximum protection against the wearing effects of high-volume and high-temperature water.

- **Foam Insulation**

The tank is surrounded by a thick coat of polyurethane foam to trap heat inside the tank, saving energy.

- **Heating Element**

Screw-in, direct immersion, 1500 watt, 120 volt heating element for maximum efficiency. Available in other wattages and voltages for every job.

- **Dip Tube**

Carries cold inlet water deep into the tank to minimize temperature dilution of hot water.

- **T&P Valve**

Conveniently located on the side of the tank to facilitate piping to a drain or external to the building.

- **3/4" Water Connections**

Located on top. Optional side connections

- **Anode Rod**

Top-mounted, heavy-duty anode for added tank protection, extending the life of the tank.

- **Built-In Electric Junction Box**

Top-located, convenient junction box, ready for 1/2" conduit.

- **Thermostat/High Limit Control**

Single-element thermostat adjustable to 170°F with high limit for single-element heaters.

- **Code Approvals**

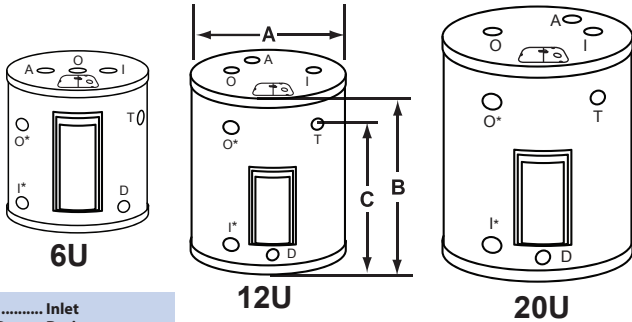
Listed to UL 174. All models are certified at 300 PSI test pressure and 150 PSI working pressure.

- **Drain Valve**

Child-resistant, corrosion-free drain valve.



**For complete warranty information consult the written warranty of American Water Heaters found at www.americanwaterheater.com, or call (800) 456-9805.*



- I..... Inlet
- D Drain
- I* Plugged Inlet
- O Outlet
- T..... T&P
- O*..... Plugged Outlet

Dimensions on all charts shown in inches.

MODEL NUMBER	GALLON CAPACITY	JACKET DIAMETER A	HEIGHT TO TOP OF HEATER B	HEIGHT TO SIDE T&P OPENING C	STANDARD VOLTAGE	STANDARD KW INPUT	MAX. KW INPUT
LDCE31-06U	6	14-1/4	16-7/8	10-1/2	120	1.5	4.5
LDCE31-12U	12	16	22-3/4	16-1/2	120	1.5	5.5
LDCE31-20U	19	18	25	18-3/4	120	1.5	6.0

Limited warranty on tank and parts. Complete details in manual. Specify wattage, voltage and phase when ordering.

SINGLE-PHASE FULL LOAD AMPERAGE DRAW					
ELEMENT WATTAGE	120V	208V	240V	277V	480V
1500	12.5	7.2	6.3	5.4	3.1
2000	16.7	9.6	8.3	7.2	4.2
2500	20.8	12.0	10.4	9.0	5.2
3000	25.0	14.4	12.5	10.8	6.3
3500	N/A	16.8	14.6	12.6	7.3
4000	N/A	19.2	16.7	14.4	8.3
4500	N/A	21.6	18.8	16.2	9.4
5000	N/A	24.0	20.8	18.1	10.4
5500	N/A	N/A	22.9	19.9	11.5
6000	N/A	N/A	25.0	21.7	12.5

WATTS	GPH RECOVERY CAPACITIES						
	TEMPERATURE RISE						
	40° F	50° F	60° F	70° F	80° F	90° F	100° F
1500	15.0	12.0	10.0	9.0	8.0	7.0	6.0
2000	20.0	16.0	14.0	12.0	10.0	9.0	8.0
2500	26.0	20.0	17.0	15.0	13.0	11.0	10.0
3000	30.7	24.6	20.5	17.6	15.4	13.9	12.3
3500	35.8	28.7	23.9	20.5	17.9	16.2	14.5
4000	41.0	32.8	27.3	23.4	20.5	18.5	16.4
4500	46.1	36.8	30.7	26.4	23.0	20.7	18.4
5000	51.2	41.0	34.1	29.3	25.6	23.1	20.5
5500	56.4	45.1	37.5	32.2	28.2	25.4	22.5
6000	61.4	49.2	41.0	35.1	30.7	27.3	24.6

Specification

Commercial electric water heater(s) shall be model _____ as manufactured by American Water Heaters, or an approved equal, and shall have a 3-year tank warranty and a 1-year parts warranty, when installed in a commercial application. Heater(s) shall have a storage capacity of _____ gallons and shall have a rated input of _____ KW at _____ Volts, single-phase, 60/50 cycle AC, and shall be design tested and listed in accordance with Underwriter's Laboratories Standard UL 174. The interior of the storage tank shall be lined with a Fused Ceramic Shield lining, fused to the tank at 1600° F, forming a corrosion-resistant lining; polymer linings are not acceptable. Each tank shall be furnished with an internal anode for cathodic protection. The unit must be equipped with a built-in electrical junction box. Electrical heating element shall be screw-in, direct immersion, resistance type. Element operation shall be controlled by a thermostat adjustable to 170° F. A high-temperature cutoff shall be supplied as an integral part of the heater. Element access panel shall be provided on the front of the heater for each element. A corrosion-resistant drain valve shall be provided on the front of each unit. The tank shall be totally encased in a metal jacket and insulated with non-CFC foam to reduce standby heat loss. The tank must be design certified for 300 PSI test pressure and 150 PSI working pressure.

Distributed By:

Order Entry and Sales

500 Princeton Road (FEDEX, UPS)
 Johnson City, TN 37601-2030
 P.O. Box 4808 (Mailing)
 Johnson City, TN 37602-4808
 (800) 937-1037
 FAX (800) 581-7224

Warranty and Service

500 Princeton Road (FEDEX, UPS)
 Johnson City, TN 37601-2030
 P.O. Box 1597 (Mailing)
 Johnson City, TN 37605-1597
 (800) 456-9805
 FAX (800) 999-5210